

INSTRUCTION MANUAL

ELECTRIC CHAFING DISH

REF : 204900



To ensure proper use of this appliance and your safety, please read the following instructions completely before operating this appliance.

English – Original

This machine to warm the food or soup, and the follow is instruction and features:

1) Switch and indicate light

The switch designed six locations: «0» - «5», when the switch turn to «1», the machine start to work, and the indicate light will on, when the switch turn to «0», the power will off and the indicate light also will off.

2) Thermostat and indicate light of working.

The thermostat to control the temperature of the water in the water tank, when turn the switch to «1», the heating element will work and the light will on.

When the temperature of water reach the set, the switch will turn off, the indicate light will off at same time; when the temperature down about 10 of the set, the switch will turn on again, and the indicate light will on. This machine will work automatic and will keep the food at the moderate temperature.

When turn the thermostat to the max, the heating element will heat the water to 90 (±10) around 20 minutes, then will some steam come out from the edge of food pan.

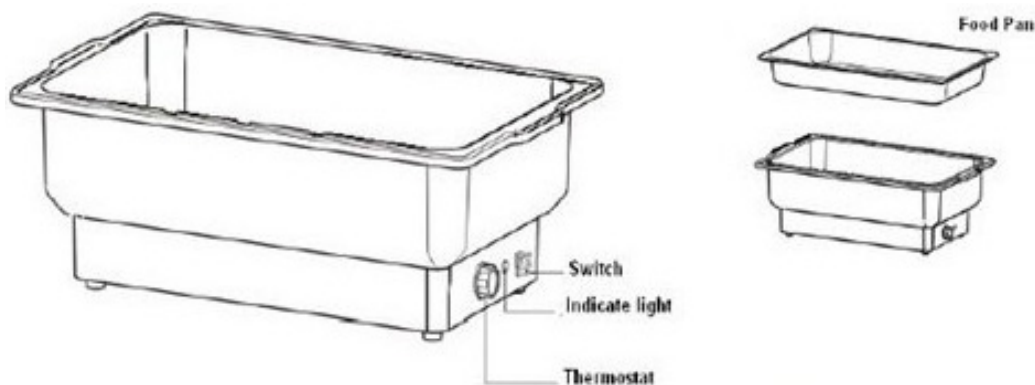
This machine with the protection of over-heating function, if the temperature of heating element over 118, the protection of over-heating will cut off the power, and when the temperature of heating element down to the safety limiter, the machine auto to work again.

3) Water limited line

Before operating, please add suitable water to the water tank, the water tank with marks: Mini and Max.

CAUTION

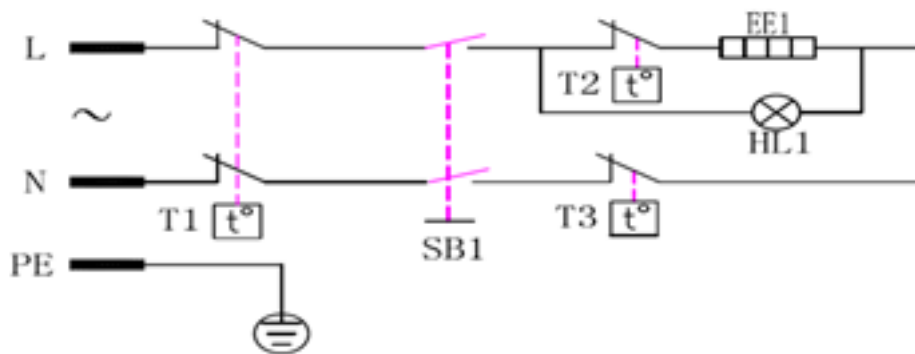
- 1) This machine just to warm food, not to cook food.
- 2) Can not put this machine into the water, it's dangerous and will to damage the machine.
- 3) Please put this machine at the flat surfact, no move the machine when working.
- 4) Ensure unit is unplugged when not in use, when filling and when being cleaned
- 7) The machine must be earthed and can not work outside.
- 8) If the machine with problem, please inquiry the distributor.



TECHNICAL SPECIFICATIONS

Model	Volt (V)	Frequency (Hz)	Power (W)	Bac	Measures (mm)	Weight (kg)
204900	230	50	1600	GN1/1 – PROF. 100 mm	633x402x274	8.3

ELECTRIC CIRCUIT DIAGRAM



STANDARDS AND DIRECTIVES

Meaning of crossed out wheeled dustbin:

Do not dispose of electrical appliances as unsorted municipal waste, use separate collection facilities.

Contact your local government for information regarding the collection systems available.

If electrical appliances are disposed of in landfills or dumps, hazardous substances can leak into the groundwater and get into the food chain, damaging your health and well-being.

When replacing old appliances with new ones, the retailer is legally obligated to take back your old appliance for disposals at least free of charge.

The device complies with current EU standards and directives. If necessary, we will send you the corresponding declaration of conformity.

Packaging disposal

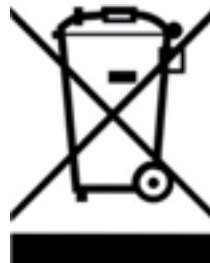
Please separate the packaging materials accordingly and return them to the responsible collection points for recycling and environmental housing.



Device disposal

once the appliance has been used up, dispose of it properly at a collection point for electrical appliances. Electrical appliances do not belong in household waste.

Your responsible administration will inform you about the addresses and opening hours of collection points. This is the only way to ensure that old appliances are properly disposed of and recycled. Thank you very much!





CE